

台北縣新莊市五權一路 13 號 5 樓之一 504 室
Rm. 504, 5FL-1, No.13, Wuchiuan 1 Rd., Shinjuang City, Taipei 22, Taiwan
<http://www.leadman.com.tw>
Tel : +886-2-22997680 Fax : +886-2-22989686

45W-60W Desk Top C14 Type



Input specification :

- Voltage Range : 100~240VAC
- Frequency : 47~63Hz
- Current : 1.5A Max
- Inrush current : 42A Max/100 Vac;84A Max/240 Vac(Cold stabt at 25°C full load)
- Leakage current : < 5mA@1500V

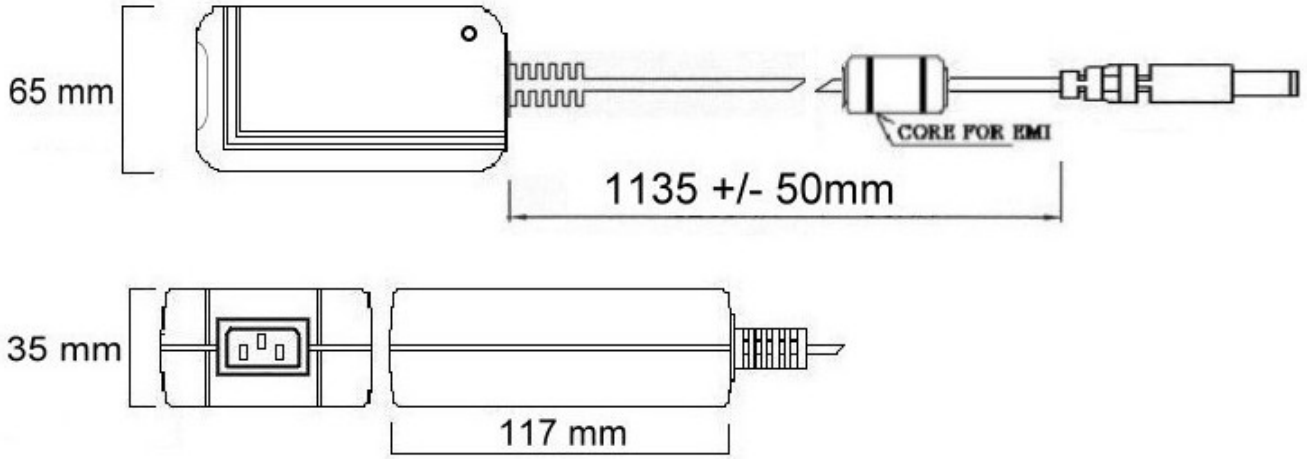
Output specification :

- Efficiency : > 80% @230V AC line full load
- Suggesting continuous load: Under 80%
- Over voltage protection
- Short circuit protection

Type	Output Rating		Output Regulation	Output Ripple & Noise	Max. Power
	Voltage (DC)	Max. Current			
9V/5A	9V	5A	+/- 5%	Under 1 %	45W
12V/4A	12V	4A	+/- 5%	Under 1 %	48W
12V/5A	12V	5A	+/- 5%	Under 1 %	60W
19V/3.15A	19V	3.15A	+/- 5%	Under 1 %	60W
24V/2.5A	24V	2.5A	+/- 5%	Under 1 %	60W

Mechanical Specification:

Dimension: 117(L) x 65(W) x 35(H) mm



DC Plug (Option)

