



勵人電子股份有限公司

# LEADMAN ELECTRONIC CO., LTD.

台北縣新莊市五權一路 13 號 5 樓之一 504 室  
 Rm. 504, 5FL-1, No.13, Wuchiuan 1 Rd., Shinjuang City, Taipei 22, Taiwan  
<http://www.leadman.com.tw>  
 Tel : +886-2-22997680 Fax : +886-2-22989686

## 90W-150W Desk Top

AC Inlet: C6 Cooling: 4x4 cm Fan

AC Inlet: C14 Cooling: Fan-less



### Input specification :

- Voltage Range : 100~240VAC
- Frequency : 47~63Hz
- Current : <3A @115V full load condition
- Inrush current : <40A@115V, <80A@230V
- Leakage current : <5mA@1500V

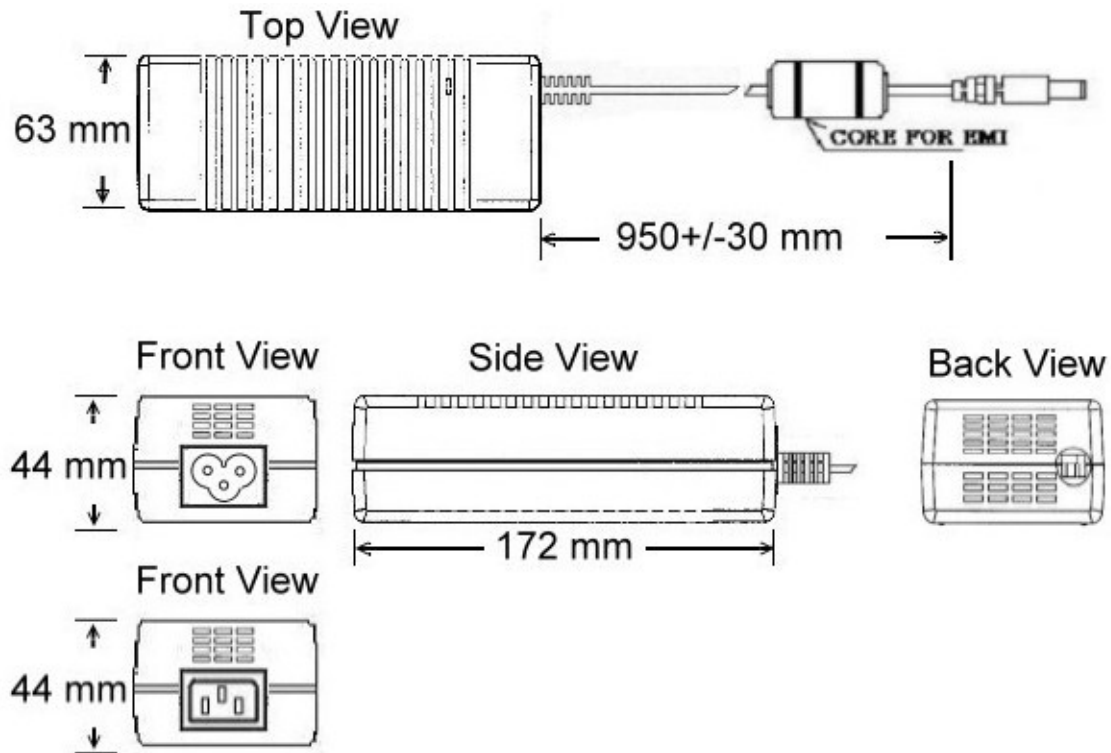
### Output specification :

- Efficiency : >80% @230V AC line full load
- Suggesting continuous load: Under 80%
- Over voltage protection
- Short circuit protection

Type	Output Rating		Output Regulation	Output Ripple & Noise	Max. Power
	Voltage (DC)	Max. Current			
12V/8A	12V	8A	+/- 5%	Under 1 %	96W
19V/6A	19V	6A	+/- 5%	Under 1 %	114W
24V/6A	24V	6A	+/- 5%	Under 1 %	144W
36V/4A	36V	4A	+/- 5%	Under 1 %	144W
48V/3A	48V	3A	+/- 5%	Under 1 %	144W

## Mechanical Specification:

Dimension: 172(L) x 63(W) x 44(H) mm



### DC Plug (Option)

