



勵人電子股份有限公司

LEADMAN ELECTRONIC CO., LTD.

台北縣新莊市五權一路 13 號 5 樓之一 504 室
 Rm. 504, 5FL-1, No.13, Wuchiuan 1 Rd., Shinjuang City, Taipei 22, Taiwan
<http://www.leadman.com.tw>
 Tel : +886-2-22997680 Fax : +886-2-22989686

20W ~ 36W Wall-Mount Type



Input specification :

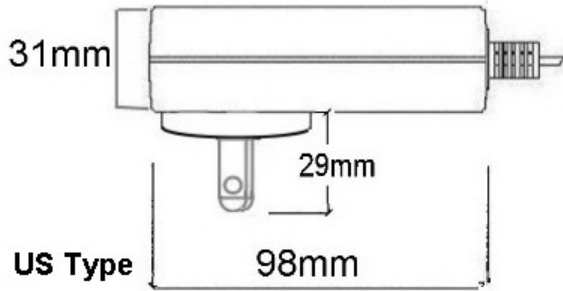
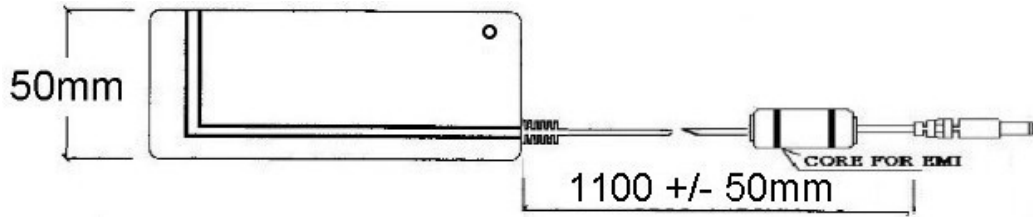
- Voltage Range : 100~240VAC
- Frequency : 47~63Hz
- Current : <0.8A@115V full load condition
- Inrush current : <25A@115V, <50A@230V
- Leakage current : <5mA@1500V

Output specification :

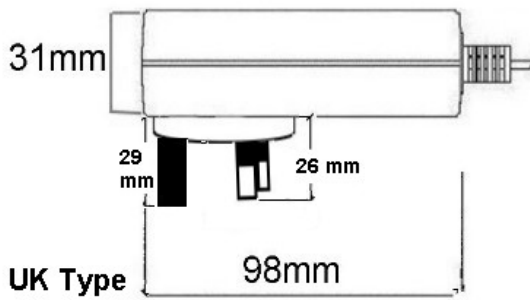
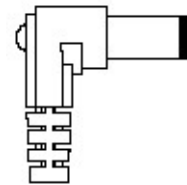
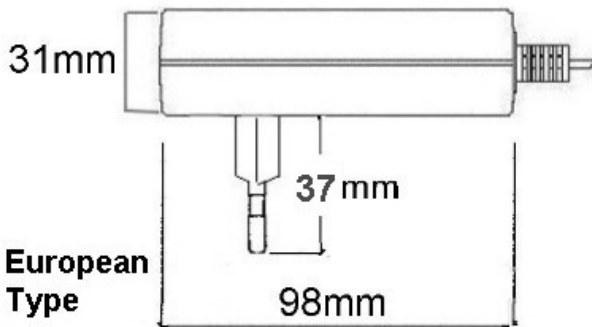
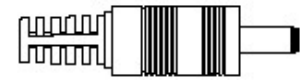
- Efficiency : >75% @230V AC line full load
- Suggesting continuous load: Under 80%
- Over voltage protection
- Short circuit protection

Type	Output Rating		Output Regulation	Output Ripple & Noise	Max. Power
	Voltage (DC)	Max. Current			
9V/2A	9V	2A	+/- 5%	Under 1 %	18W
12V/3A	12V	3A	+/- 5%	Under 1 %	36W
12V/2A	12V	2A	+/- 5%	Under 1 %	24W
15V/2A	15V	2A	+/- 5%	Under 1 %	30W
24V/1A	24V	1A	+/- 5%	Under 1 %	24W

Mechanical Specification:



DC Plug (Option)



ROUND TYPE



FORK TYPE

