



勵人電子股份有限公司

LEADMAN ELECTRONIC CO., LTD.

台北縣新莊市五權一路 13 號 5 樓之一 504 室
 Rm. 504, 5FL-1, No.13, Wuchiuan 1 Rd., Shinjuang City, Taipei 22, Taiwan
<http://www.leadman.com.tw>
 Tel : +886-2-22997680 Fax : +886-2-22989686

5W Wall-Mount Type



Input specification :

- Voltage Range : 100~240VAC
- Frequency : 47~63Hz
- Current : <0.5A@115V full load condition
- Inrush current : <6A@100V, <12A@240V
- Leakage current : <3.5mA@1500V

Output specification :

- Efficiency : >70% @230V AC line full load
- Suggesting continuous load: Under 80%
- Over voltage protection
- Short circuit protection

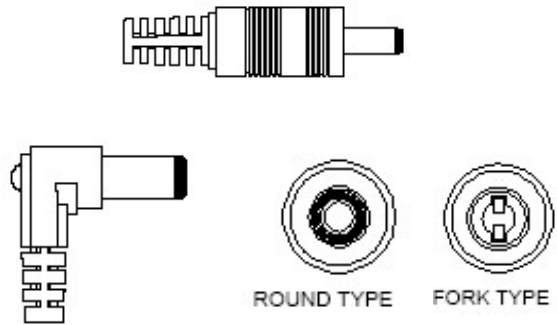
Type	Output Rating		Output Regulation	Output Ripple & Noise	Max. Power
	Voltage (DC)	Max. Current			
5V/0.85A	5V	0.85A	+/- 5%	Under 1 %	4.25W
5V/1A	5V	1A	+/- 5%	Under 1 %	5W

Mechanical Specification:

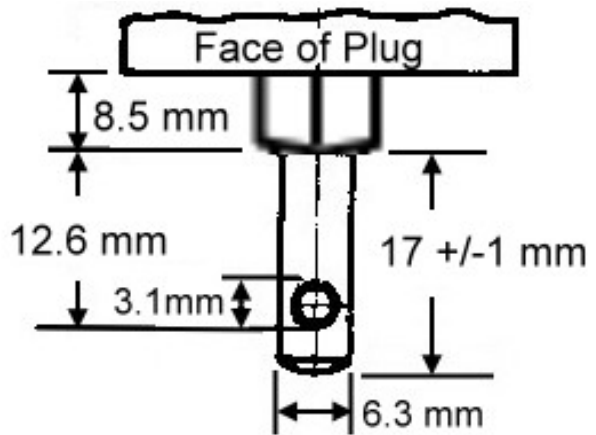
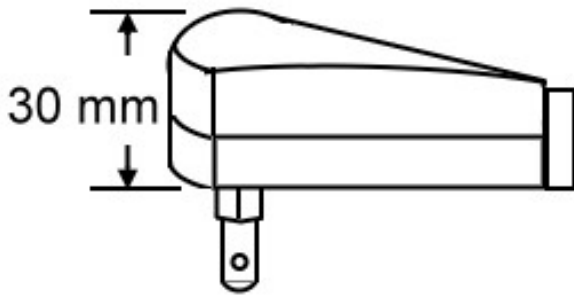
Top View



DC Plug (Option)



US Type Side View



EU Type Side View

